

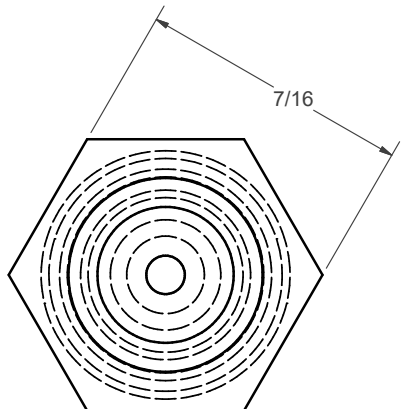
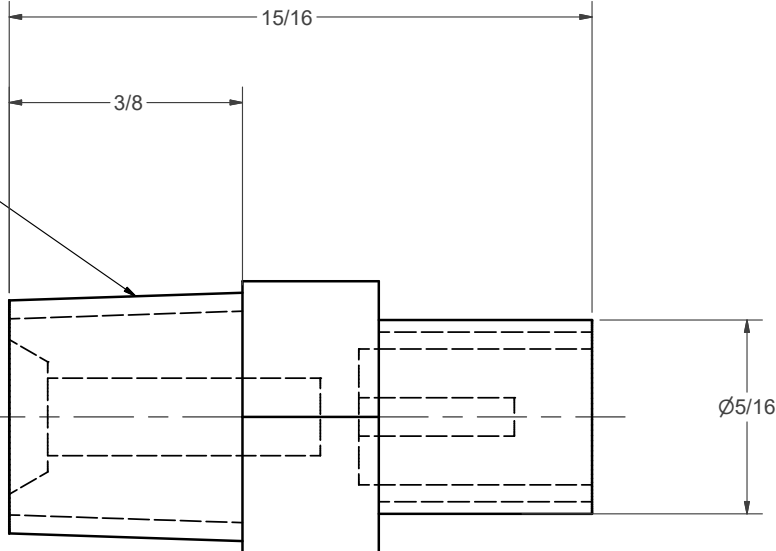
4

3

2

1

1/8-27 NPT



UNLESS OTHERWISE SPECIFIED
 ALL DIAMETERS TO BE
 CONCENTRIC WITHIN 0.003
 REMOVE ALL BURRS
 & SHARP EDGES

JRC WEB ACCESSORIES
 46 PASSAIC AVENUE FAIRFIELD, NJ 07004

CUSTOMER	DIMENSION	TOLERANCE ±
CUSTOMER	FRACTIONAL	1/64
FINISH	ANGULAR	0.5°
NONE	X.XX	0.010
MATERIAL	X.XXX	0.005
BRASS	X.XXXX	0.0005
REFERENCE DRAWING		

TITLE

AIR INFLATING VALVE

SIZE	DATE	DWG NO	REV
B		A-1360	

SCALE DRAWN Todd Ryan SHEET 1 OF 1

4

3

2

1