

4

3

2

1

10-32 UNF - 2B ∇ 0.250

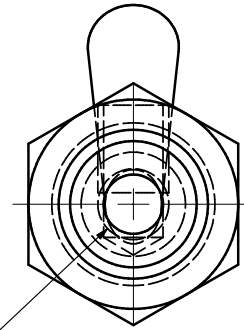
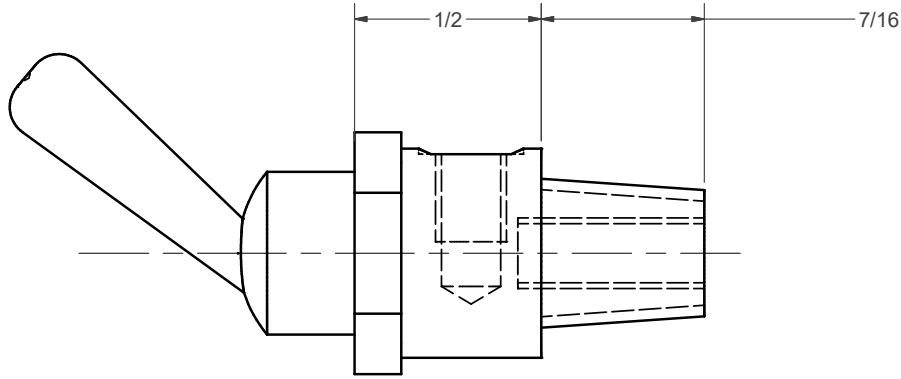
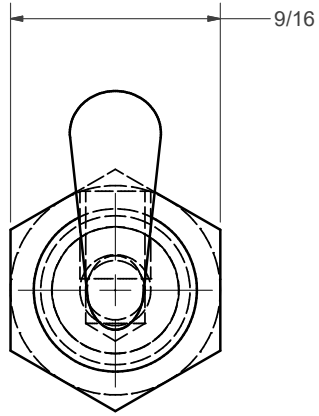
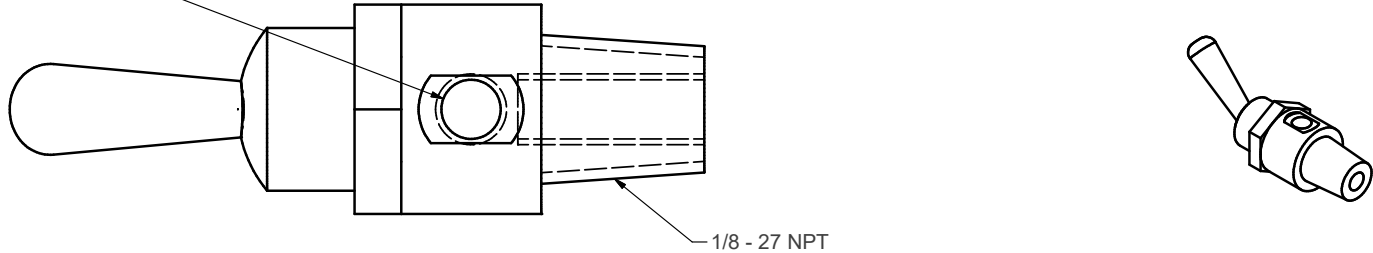
1/8 - 27 NPT

9/16

1/2

7/16

10-32 UNF - 2B



UNLESS OTHERWISE SPECIFIED		JRC WEB ACCESSORIES	
ALL DIAMETERS TO BE CONCENTRIC WITHIN 0.003		46 PASSAIC AVENUE FAIRFIELD, NJ 07004	
REMOVE ALL BURRS & SHARP EDGES		TITLE	
125 ✓		3 WAY AIR INFLATING SWITCH	
CUSTOMER	DIMENSION	TOLERANCE \pm	SIZE
CUSTOMER	FRACTIONAL	1/64	DATE
FINISH	ANGULAR	0.5°	DWG NO
VARIOUS	X.XX	0.010	REV
MATERIAL	X.XXX	0.005	B 2/19/2021
REFERENCE DRAWING	X.XXXX	0.0005	B-3533
		SCALE	DRAWN Todd Ryan
		SHEET 1 OF 1	

4

3

2

1

B

B

A

A